



PSR Professional Service & Repair Inc.

Professional Service & Repair Inc. is a full-service mobile crane repair, inspection, and certification company. At Professional Service & Repair we understand the critical aspect of your crane being operational to your project schedule and budget. We will deliver world class service to have your crane operational in the minimum amount of time.

PSR is the global provider for sales, repair and installation of Load Moment Indicating (LMI) systems, Anti-Two Block Systems (A2B), and Rated Capacity Indicating systems. Please contact us with your crane repair and certification needs today.

PSR is the name businesses trust for crane repair, inspection, and certification.

Main Line: 706-718-0856

Fax: 706-569-7004

E-Mail: jeff@psrinc.biz

**P.O. Box 6506
Columbus, GA
31917-6506**

224-28000 locking pin only

774-00054 pin

729-02729 bracket

861-90434 switch

28480 LBS

CREER COMPANY
PART NO: 861-90434
SERIAL NO: 1202075
1993 BULLDOZER
SANTA ANA, CA 92705
(714) 944-4100

861-90472
COVER ONLY

KERS

5

To Install the mounting plate, you take the plate off exposing the switch

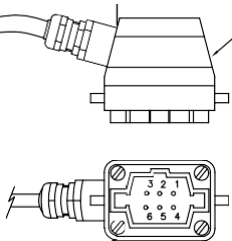
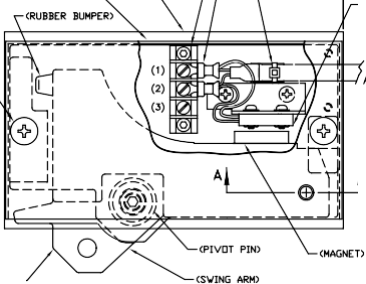
Remove this bolt, and discard the back nut, on the outside of the switch, but not visible in this picture

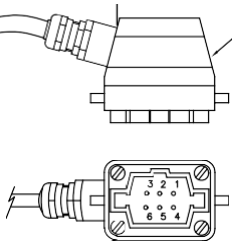
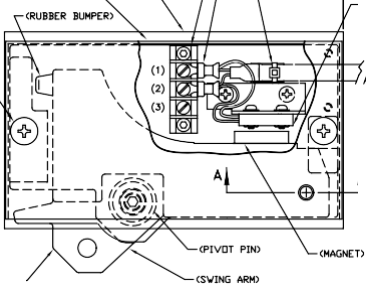


217061 bolt

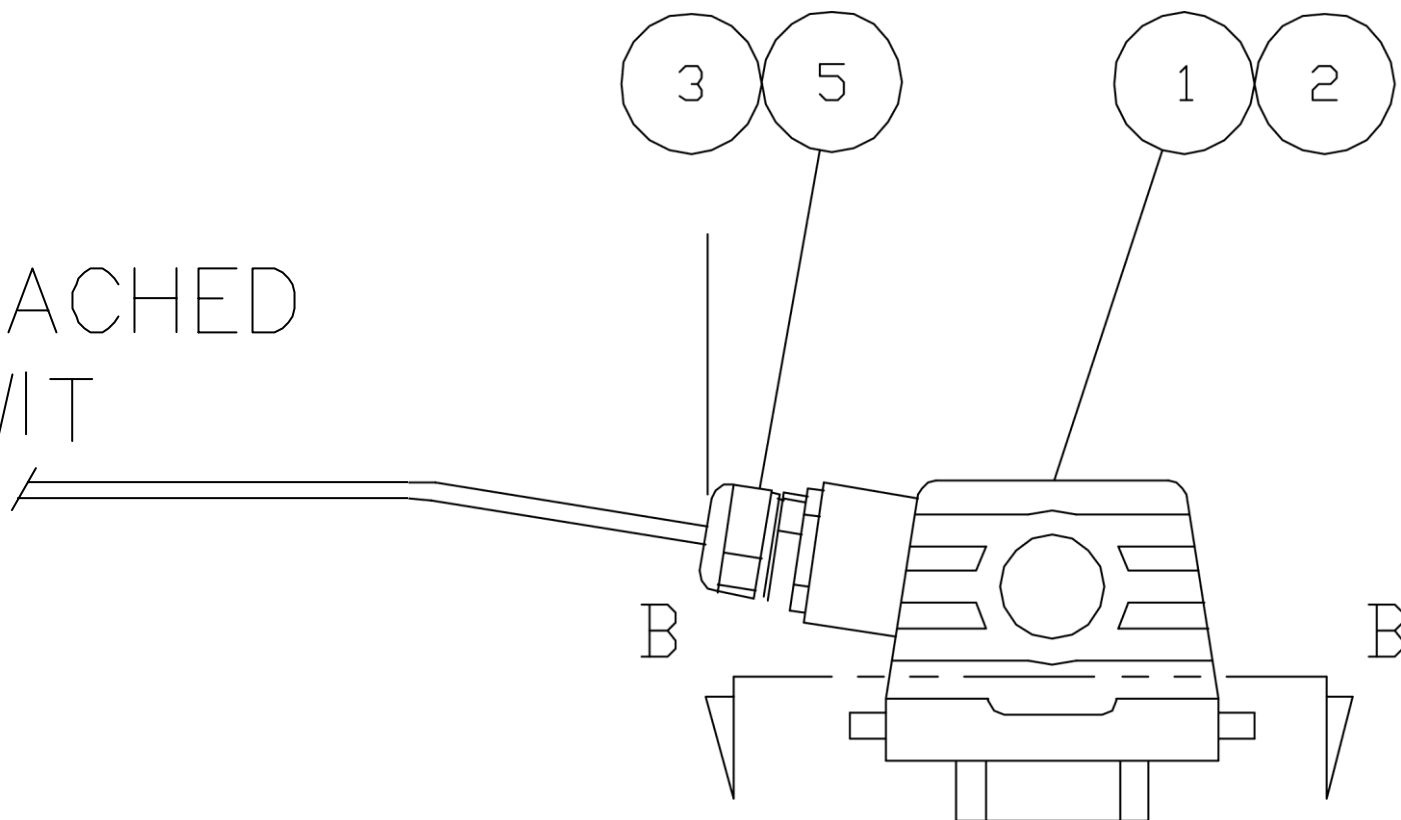
861-90434 SWITCH

729-02729 bracket





E ATTACHED
TO THE SWITCH

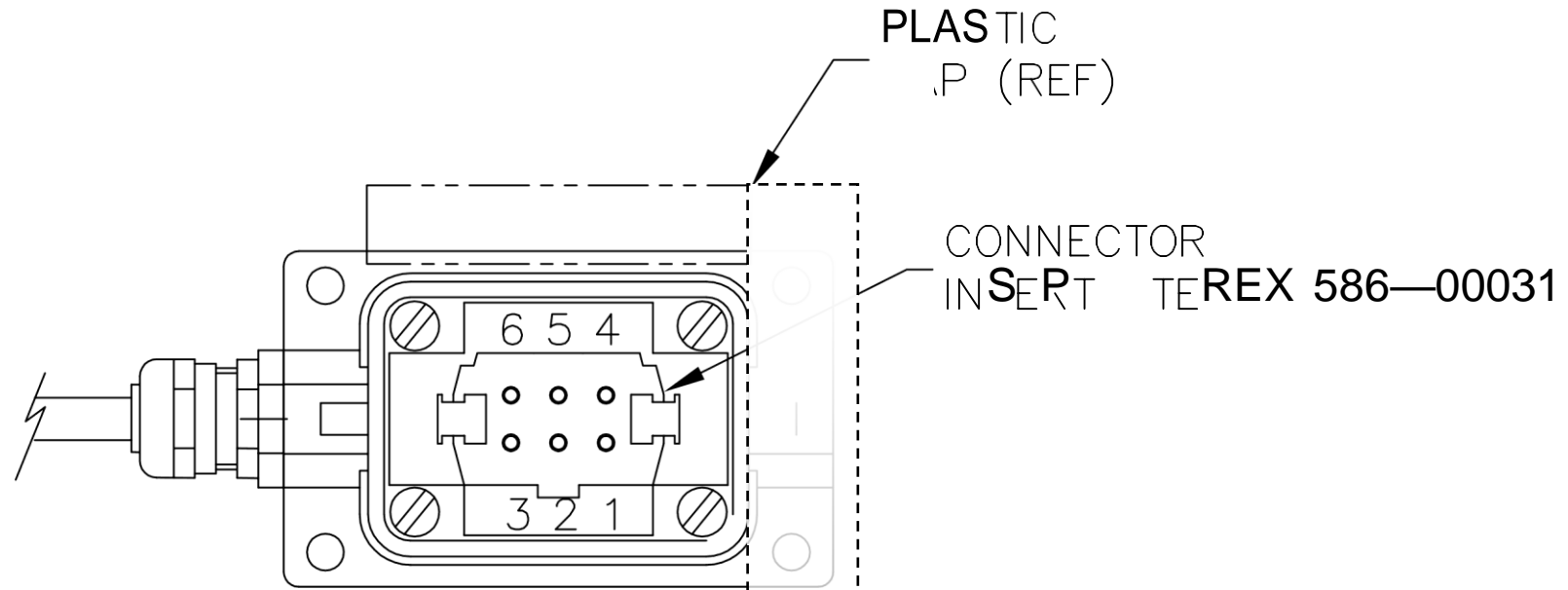


1	1	REDUCER, PG 13 TO PG7	2-400-15185
2	2	CABLE AND — PG7 S.R.	2-400-15184
2	1	SERT., 6 PIN MALE PLUG	2-400-233441
1	1	HOOD, 6 PIN SIDE ENTRY	2-400-23335

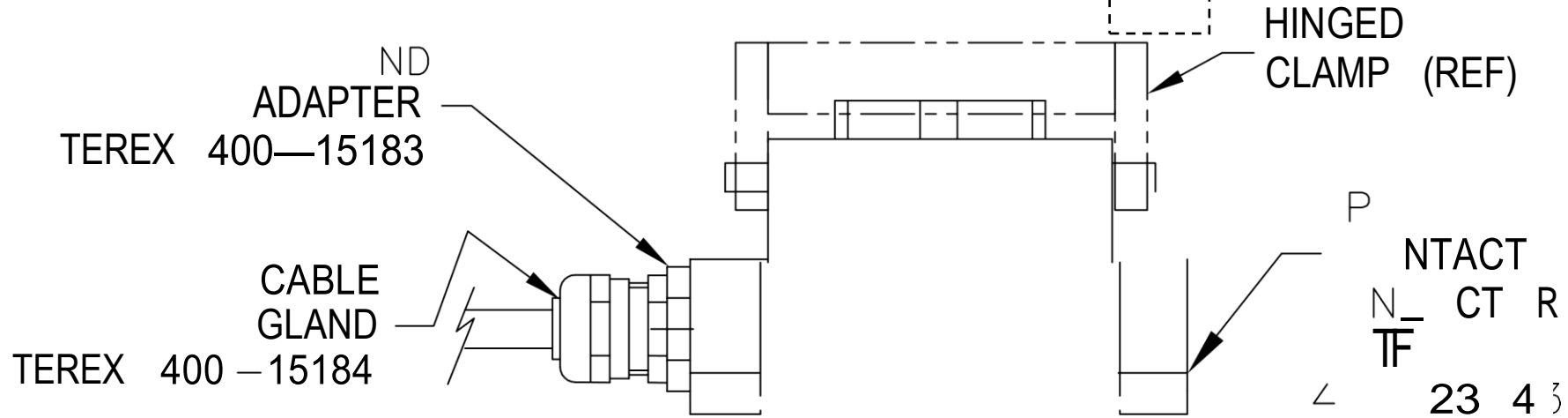
FN P HA G —9

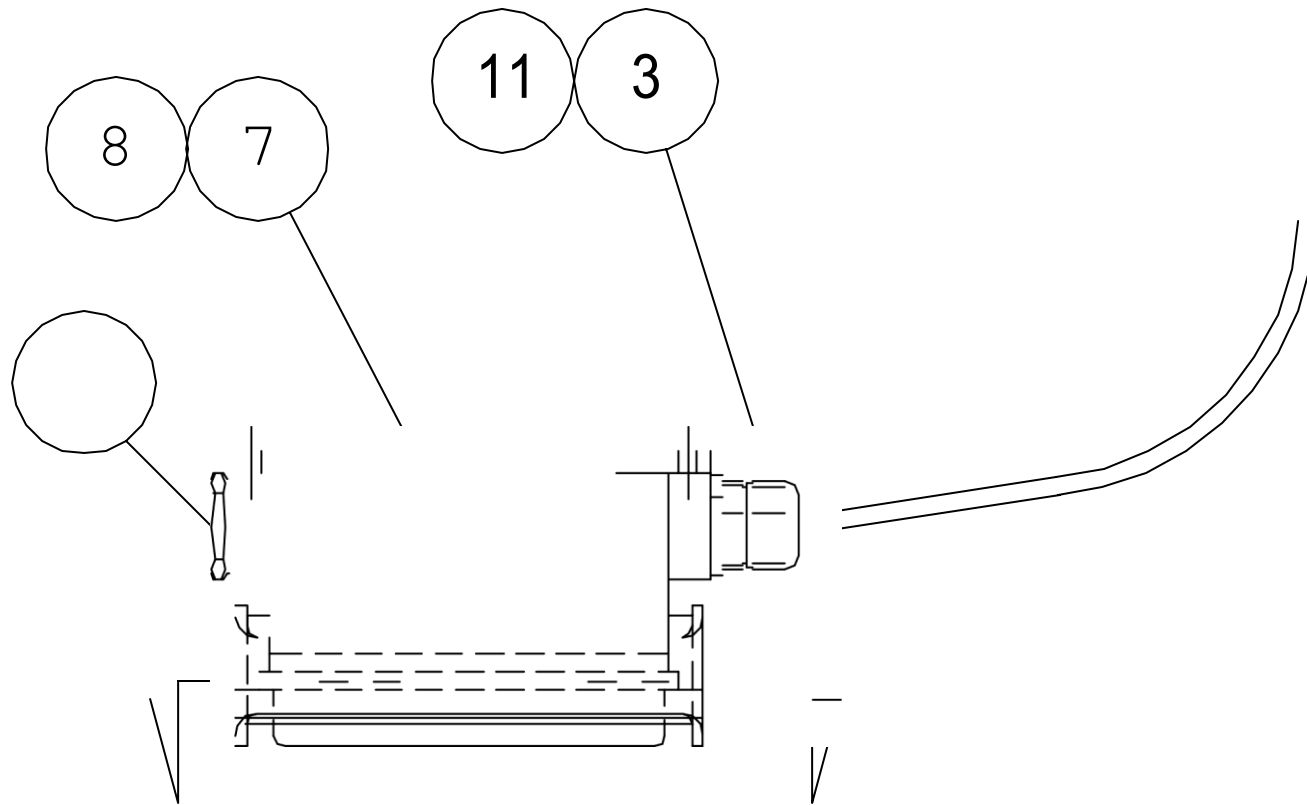
WI

THE SWITCH



NOTICE ORIENTATION OF FEMALE INSERT THIS IS THE CONNECTOR ON THE CABLE OFF THE REEL

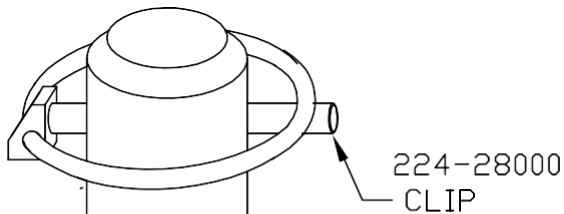
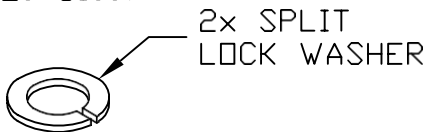
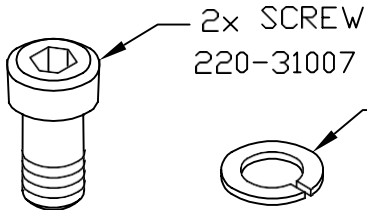




12	1	PLUG — PG16 HOLE	2-400-15109
11	1	REDUCER, PG16 — PG7	2-400-15183
8	1	INSERT, 6 PIN FEMALE RECPT.	2-400-2524 ⁴
7	1	CABLE BASE — SNGL LATCH S.M.	2-400-2324 ³
3	2	CABLE GLAND — PG7 S.R	2-400-15184

WH

WI



PLATED
POST WITH
RETAINING
RING

